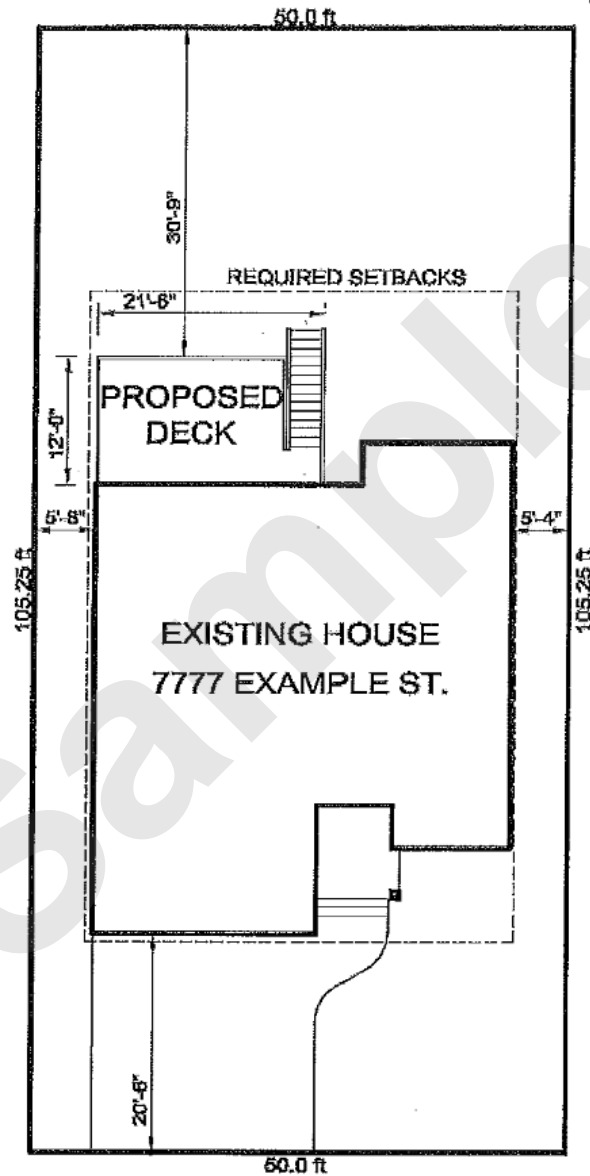




City of Langford

www.cityoflangford.ca

Example Plans: Deck Addition to a Single Family Dwelling Unit



SITE PLAN

SCALE: $\frac{1}{16}'' = 1'-0''$

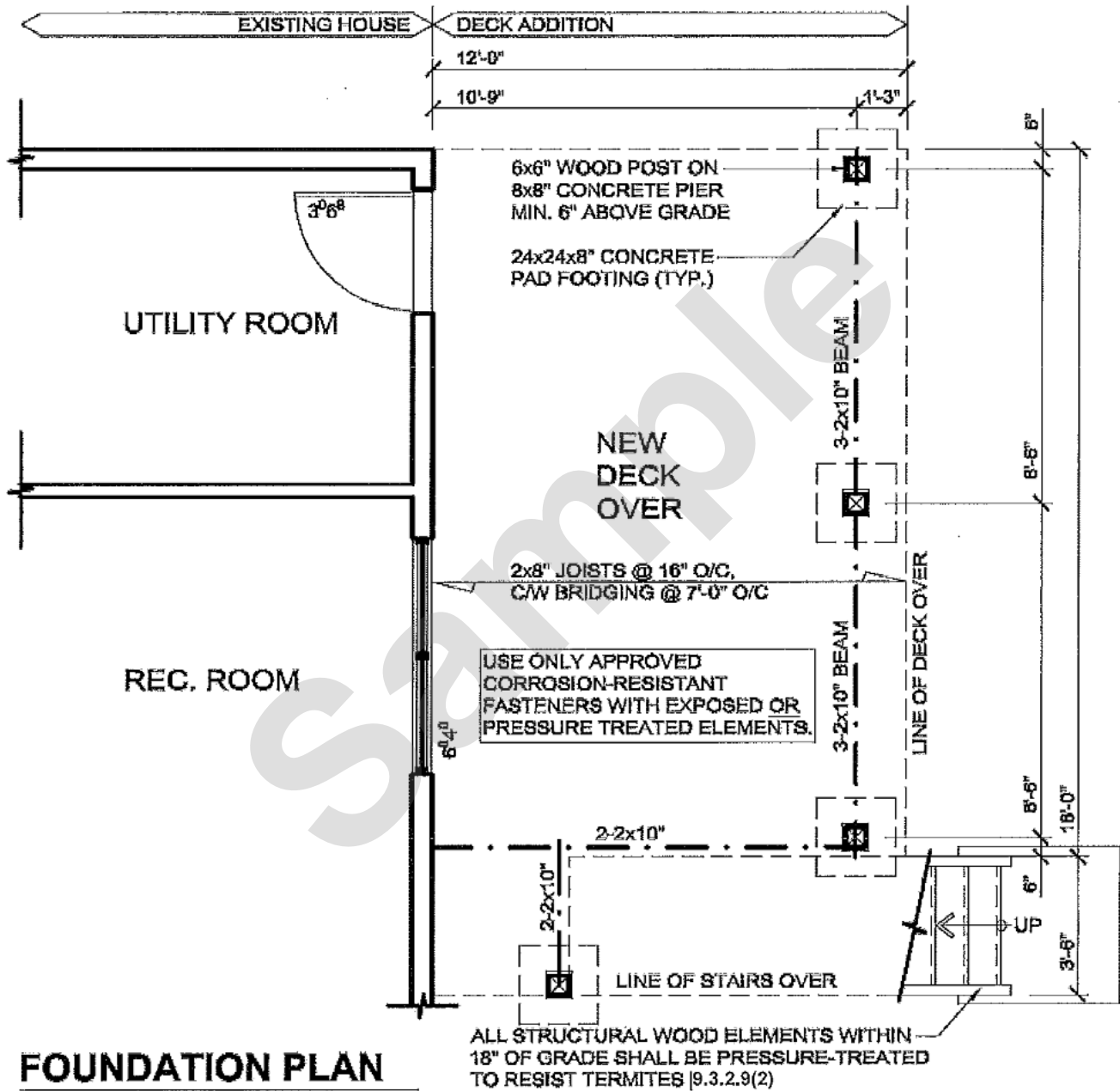
EXAMPLE STREET

**Note: Actual plans must be drawn on minimum 11x17" size paper. Plans must NOT be drawn on graph or lined paper.



City of Langford

www.cityoflangford.ca



FOUNDATION PLAN

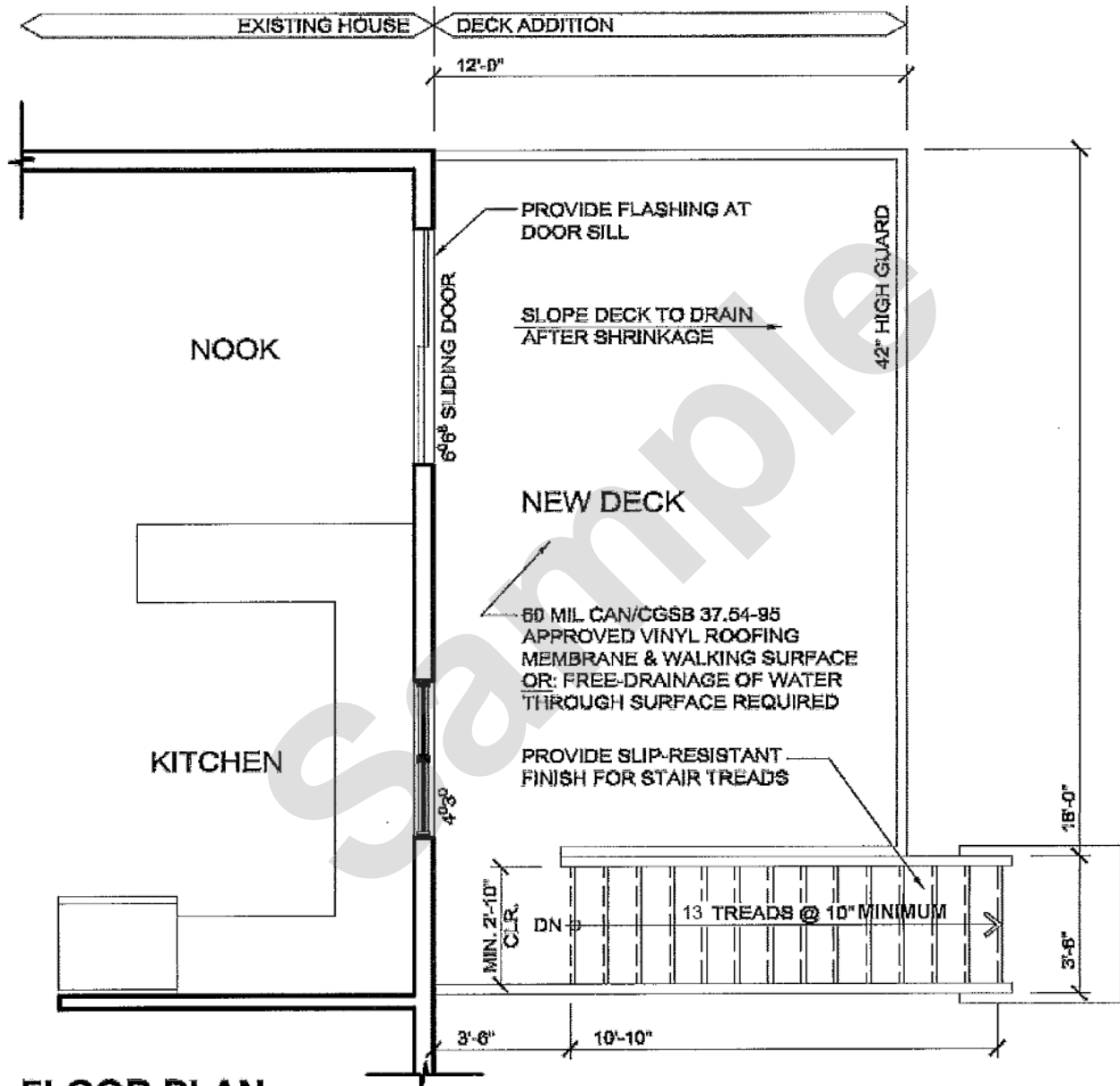
SCALE: $\frac{1}{4}" = 1'-0"$

**Note: Actual plans must be drawn on minimum 11x17" size paper. Plans must NOT be drawn on graph or lined paper.



City of Langford

www.cityoflangford.ca



FLOOR PLAN

SCALE: $\frac{1}{4}" = 1'-0"$

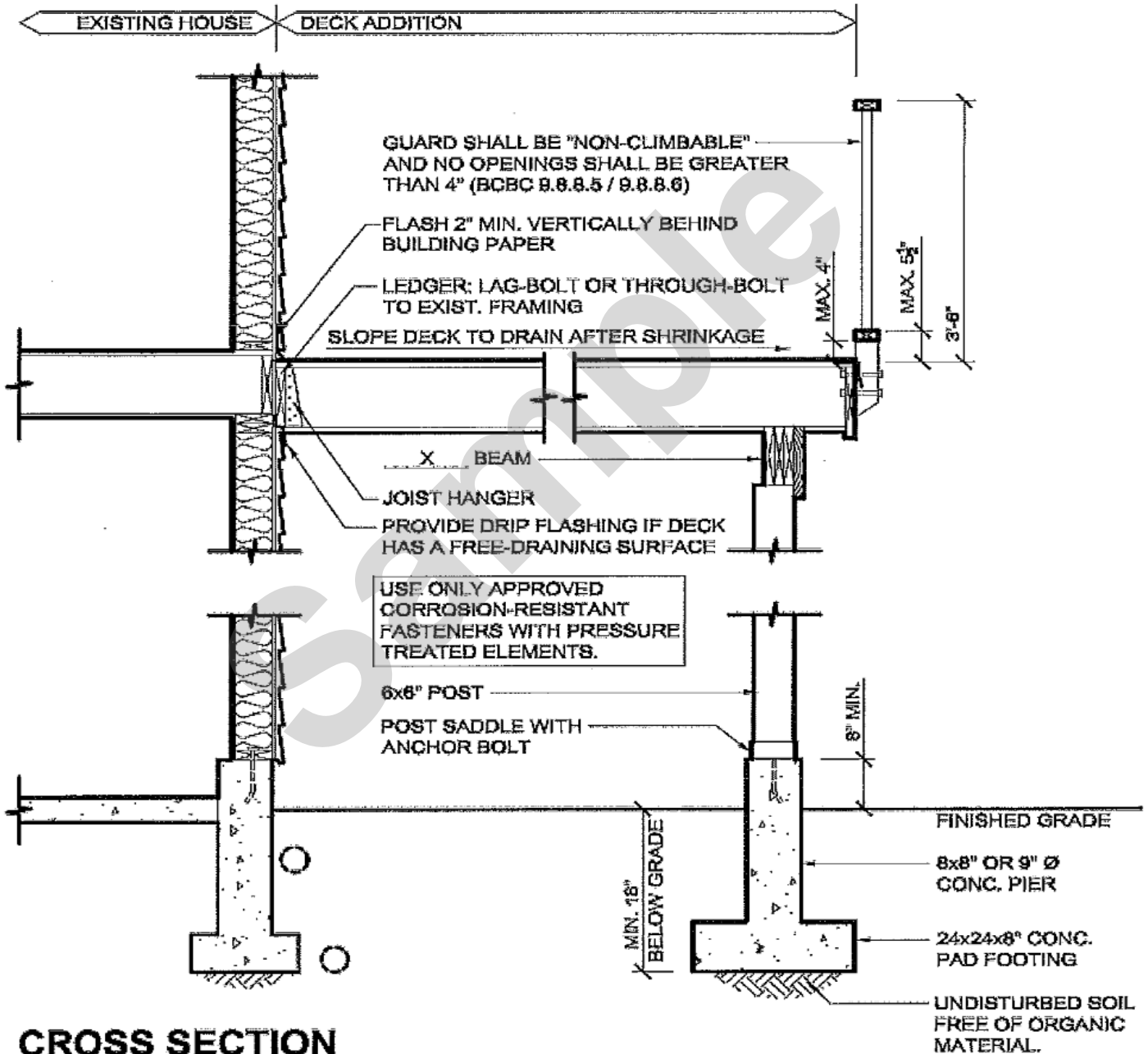
**Note: Actual plans must be drawn on minimum 11x17" size paper. Plans must NOT be drawn on graph or lined paper.





City of Langford

www.cityoflangford.ca



CROSS SECTION

SCALE: $\frac{1}{2}'' = 1'-0''$

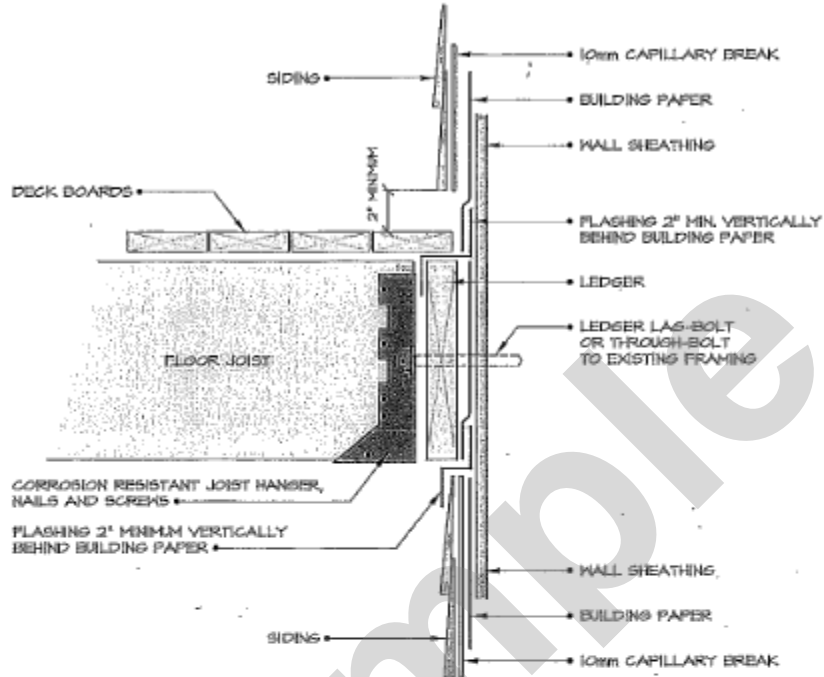
**Note: Actual plans must be drawn on minimum 11x17" size paper. Plans must NOT be drawn on graph or lined paper.



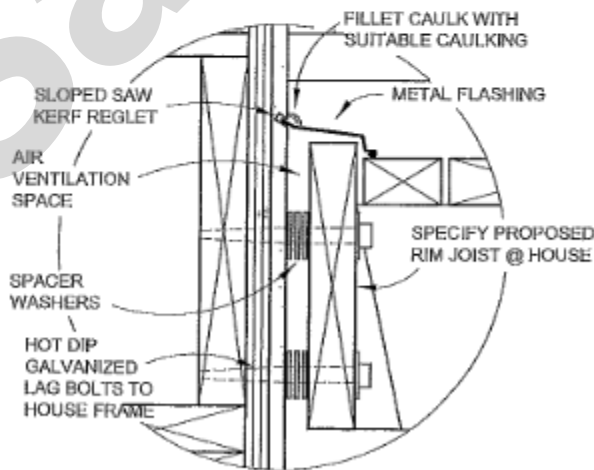
City of Langford

www.cityoflangford.ca

CONNECTION AND FLASHING DETAIL EXAMPLE ILLUSTRATIVE PURPOSES ONLY - EXAMPLES ARE NOT TO SCALE



CONNECTION AND FLASHING DETAIL
1/2" = 1'-0" (1:25) MINIMUM SCALE



**Sample Flashing Detail
at Intersection of Deck
and Existing House**



City of Langford

www.cityoflangford.ca

DECK - STAIR DETAIL EXAMPLE FOR ILLUSTRATIVE PURPOSES ONLY - EXAMPLES ARE NOT TO SCALE

