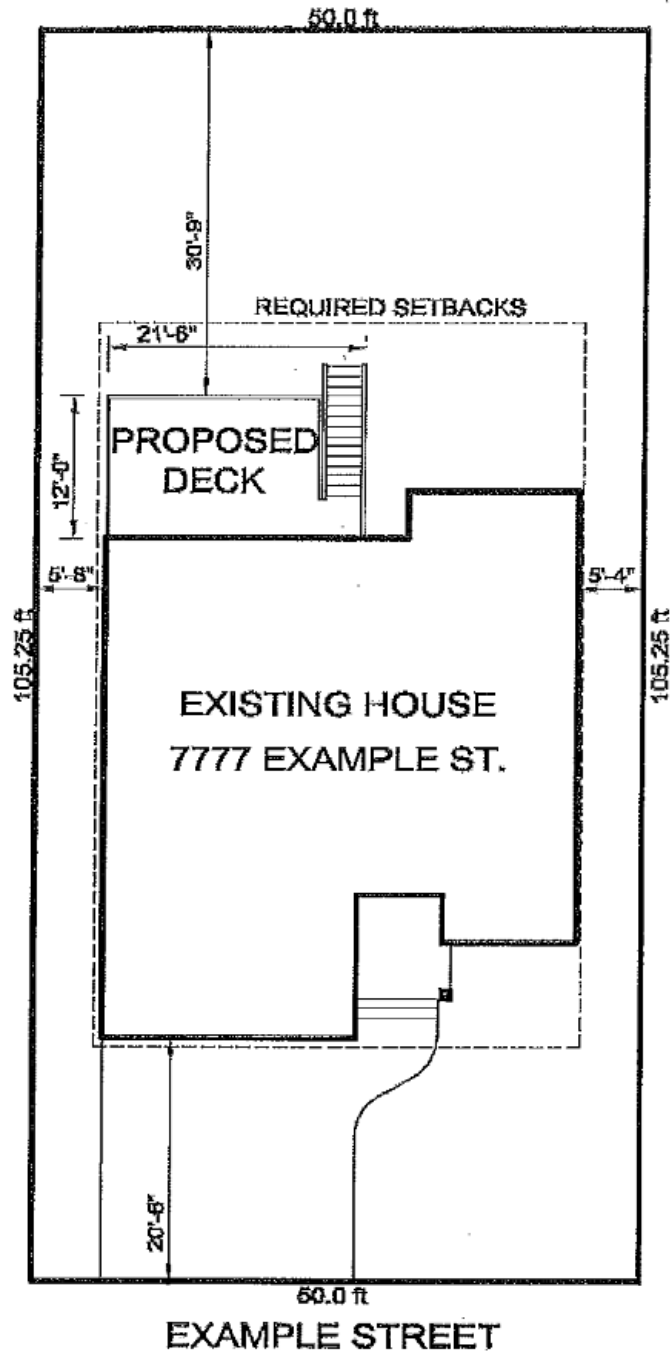


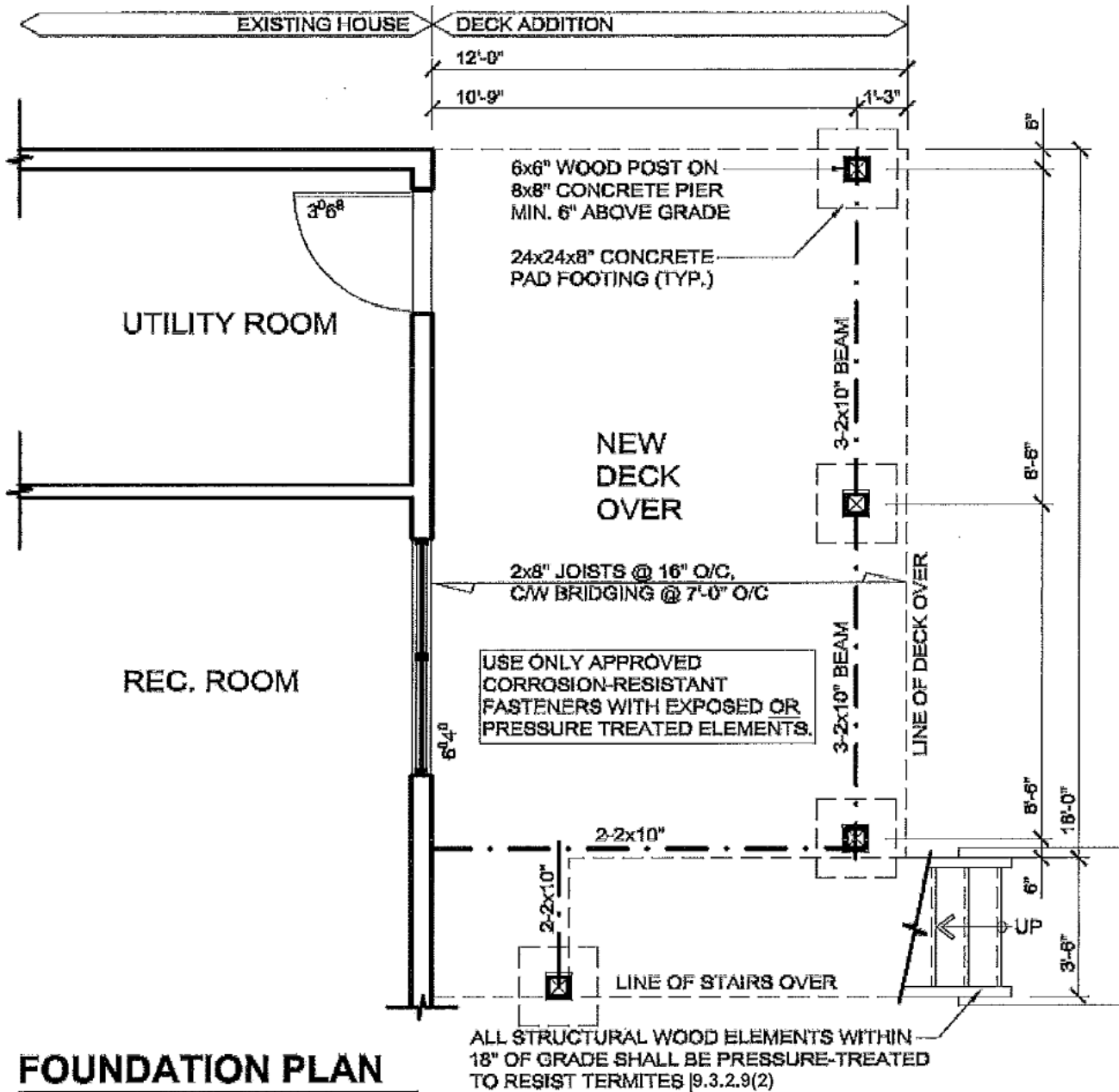
Example Plans: Deck Addition



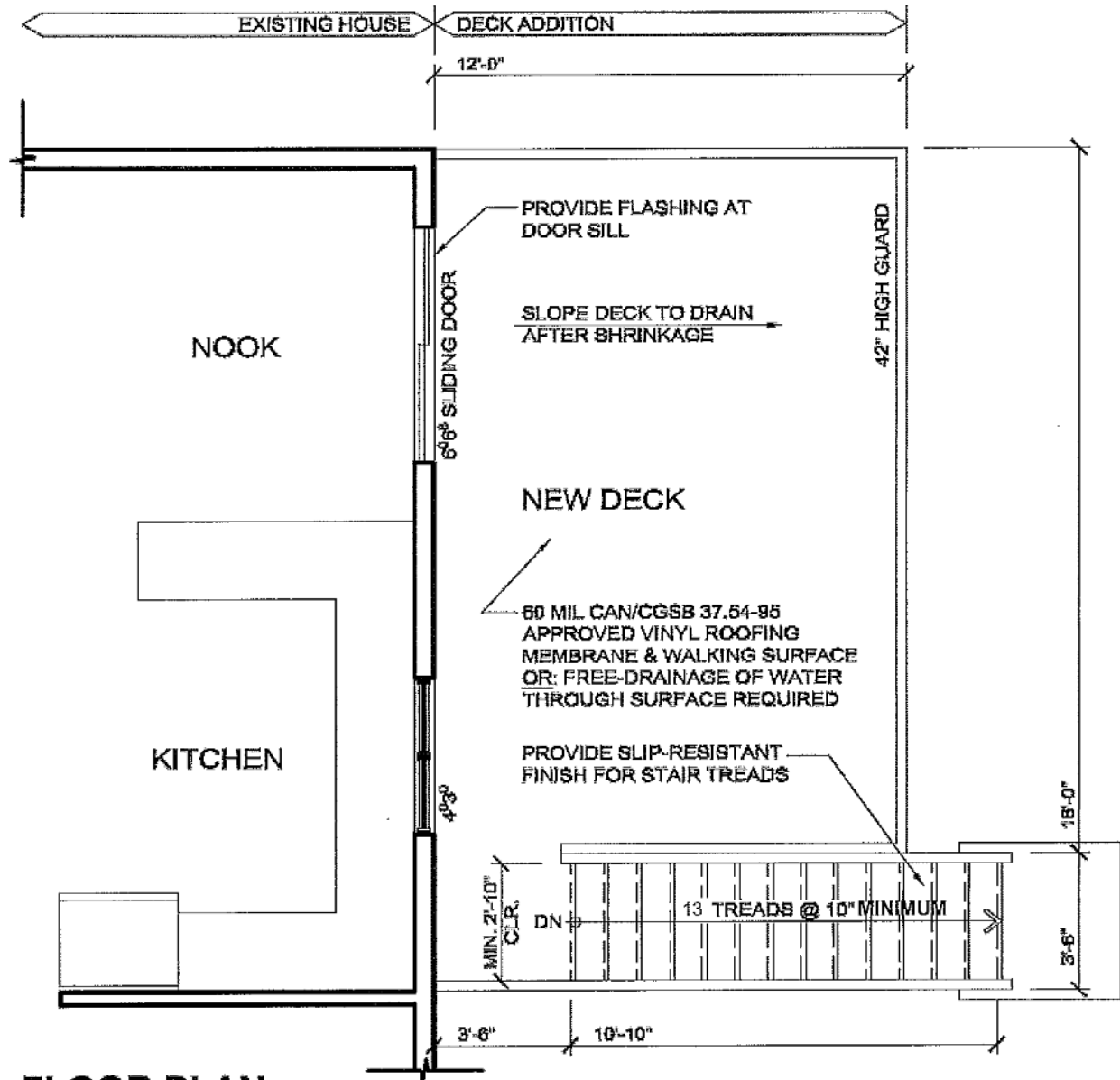
SITE PLAN

SCALE: $\frac{1}{16}'' = 1'-0''$

**Note: Actual plans must be drawn on minimum 11x17" size paper. Plans must NOT be drawn on graph or lined paper.



**Note: Actual plans must be drawn on minimum 11x17" size paper. Plans must NOT be drawn on graph or lined paper.

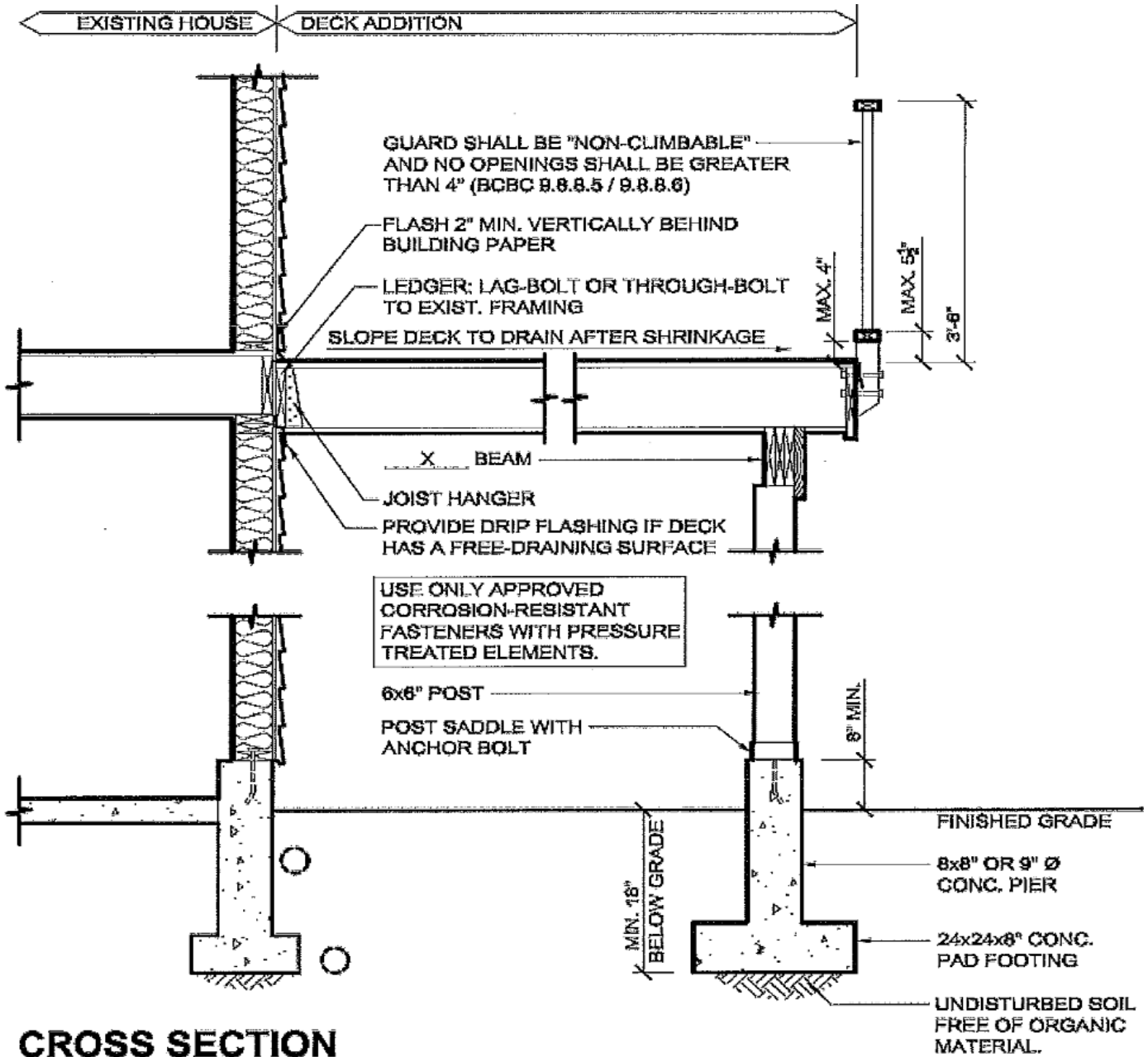


FLOOR PLAN

SCALE: $\frac{1}{4}" = 1'-0"$

**Note: Actual plans must be drawn on minimum 11x17" size paper. Plans must NOT be drawn on graph or lined paper.





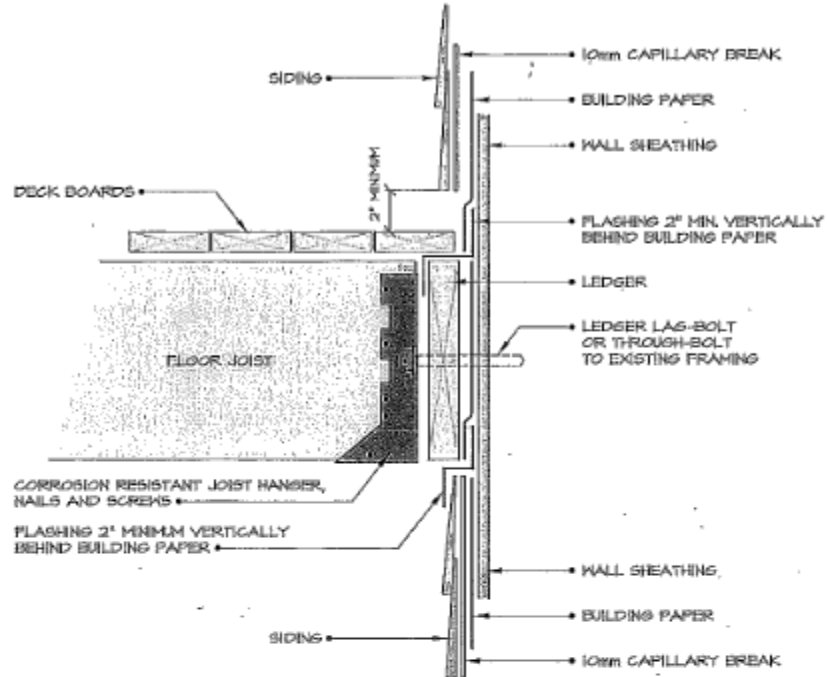
CROSS SECTION

SCALE: $\frac{1}{2}" = 1'-0"$

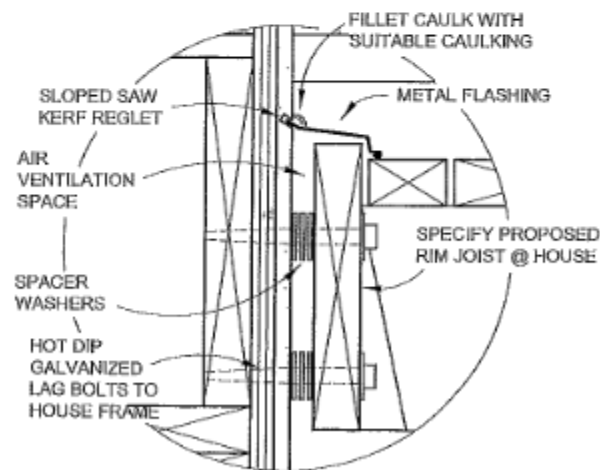
**Note: Actual plans must be drawn on minimum 11x17" size paper. Plans must NOT be drawn on graph or lined paper.

CONNECTION AND FLASHING DETAIL EXAMPLE

ILLUSTRATIVE PURPOSES ONLY - EXAMPLES ARE NOT TO SCALE



CONNECTION AND FLASHING DETAIL
 1/2" = 1'-0" (0.25) MINIMUM SCALE



Sample Flashing Detail
 at Intersection of Deck
 and Existing House

DECK - STAIR DETAIL EXAMPLE

FOR ILLUSTRATIVE PURPOSES ONLY - EXAMPLES ARE NOT TO SCALE

